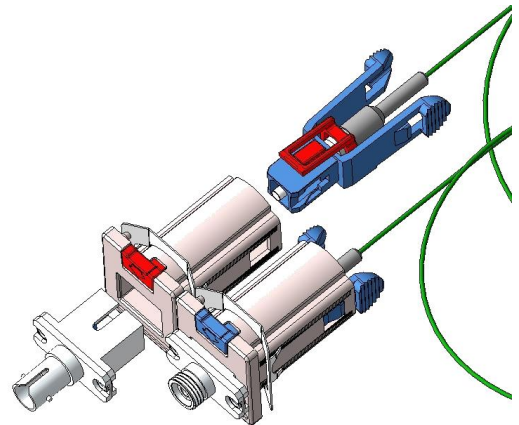


KI-G2000 Series

Universal Optical Connector

Applications

Fiber optic test equipment, line equipment, termination cabinets, or any fiber optic equipment where the ability to accommodate different connector style is useful.



Revision 5

The Kingfisher G2000 series universal optical connectors enable equipment to be easily fitted with a variety of optical adaptor styles in a warehouse, retail outlet, installation site, QA application etc.

This streamlines component inventory, production, QA testing, distribution & sales, while giving additional customer flexibility and making after-sales service easier.

Adaptor styles currently available are: LC, ST, SC, FC, D4, E2000, LSA-DIN46256, F3000, MU, Universal 2.5 mm, Universal 1.25 mm, SMA.

Features

- Small, light & easy to mount
- Uses standard SC hybrid through adaptors
- Colour code using CWDM convention
- Metal free, suitable for high power systems
- Fast, easy assembly
- Tool free service changeovers
- Lower cost
- Easy connector tip cleaning

KI-G2000 Series – Universal Optical Connector

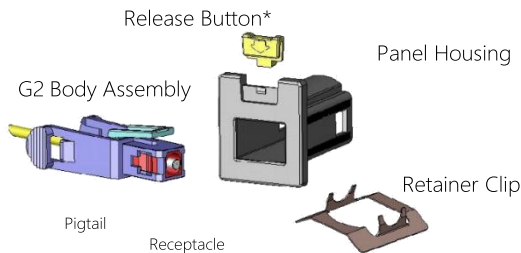
Based on an SC optical adaptor, this is a patented solution for 2.5 mm and 1.25 mm fiber optic connector styles.

Hybrid SC adaptors are available for: LC, ST, SC, FC, D4, E2000, LSA-DIN47256, F3000, MU, Universal 2.5 mm, Universal 1.25 mm, SMA optical connector types.

The fiber connector ferrule tip is easily accessible for cleaning by removing the hybrid SC connector adaptor.

Fiber optic adaptor styles can be configured or changed after equipment delivery. Alternatively, a tamper-proof configuration is possible, with a one-time only configuration.

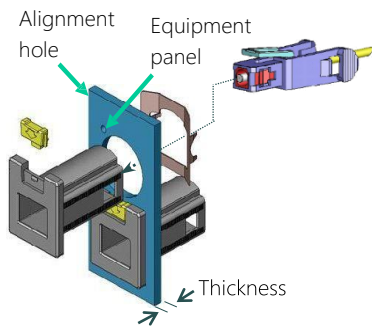
G2000 SERIES COMPONENTS:



*The colour coded Release Button matches the CWDM Transceivers connector color code convention:

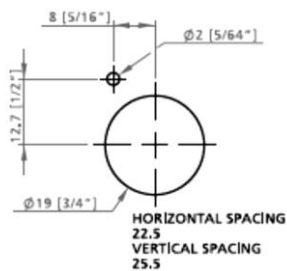
CWDM λ	Colour	CWDM λ	Colour
1470	Gray	1550	Yellow
1490	Violet	1570	Orange
1510	Blue	1590	Red
1530	Green	1610	Brown

INSTALLING G2000 SERIES ON EQUIPMENT PANEL:



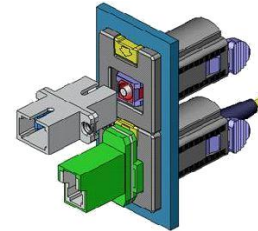
MOUNTING HOLE DIMENSION

- Will fit onto equipment panel with;
- i. Panel thickness up to 22 mm (7/8")
 - ii. Round hole ϕ 19 mm (3/4")
 - iii. Horizontal/vertical spacing 22.5/25.5 mm



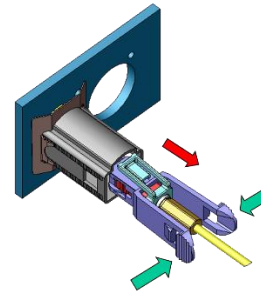
INTERCHANGING HYBRID ADAPTOR ON INSTALLED G2000 SERIES:

- To insert: push a hybrid adaptor into housing.
- To remove: press down Release Button and pull out adaptor.
- After adaptor is removed, ferrule of the connector can be cleaned easily.



SERVICE REPLACEMENT ON INSTALLED G2000 SERIES:

- To remove the G2 Body Assembly press both tab and withdraw.



APPLICATION OF G2000 SERIES:

- The G2000 series Universal Optical Connector can be used on;
- Test equipment
 - Transmission equipment
 - Patch panels



ORDERING INFORMATION

Description	Part number
Connector, G2, PC, 9/125/900 um SM Pigtail	KI-G2001
Connector, G2, APC, 9/125/900 um SM Pigtail	KI-G2002
Connector, G2, 50/125/900 um MM Pigtail	KI-G2003
Connector, G2, 62.5/125/900 um MM Pigtail	KI-G2004

STANDARD COMPONENT / ACCESSORIES

Description	Quantity			
	KI-G2001	KI-G2002	KI-G2003	KI-G2004
Component:				
Blue Receptacle	1			
Green Receptacle		1		
Beige Receptacle			1	1
G2 Body Assembly	PC, 9/125/900 µm, 1 M, Pigtail	1		
	APC, 9/125/900 µm, 1 M, Pigtail		1	
	PC, 50/125/900 µm, PC, 1 M, Pigtail			1
	PC, 62.5/125/900 µm, PC, 1 M, Pigtail			1
Release Button (Grey, violet, blue, green, yellow, orange, red, brown)			8	
Panel Housing			1	
Retaining Clip			1	
Accessories:				
Option, Hybrid Adaptor, Ceramic Sleeve, SC/ST (OPT040)			1	
Option, Hybrid Adaptor, Ceramic Sleeve, SC/SC (OPT046)			1	
Option, Hybrid Adaptor, Ceramic Sleeve, SC/LC, metal body (OPT076)			1	

OPTIONAL INTERCHANGEABLE HYBRID ADAPTORS

Description	Part number
Option, Hybrid Adaptor, Ceramic Sleeve, SC/FC	OPT051
Option, Hybrid Adaptor, Ceramic Sleeve, SC/D4	OPT055
Option, Hybrid Adaptor, Ceramic Sleeve, SC/E2000	OPT060
Option, Hybrid Adaptor, Ceramic Sleeve, SC/E2000 Green	OPT060G
Option, Hybrid Adaptor, Ceramic Sleeve, SC/LSA-DIN47256	OPT071
Option, Hybrid Adaptor, Ceramic Sleeve, SC/F3000 or LC Simplex, plastic body	OPT072
Option, Hybrid Adaptor, Ceramic Sleeve, SC/MU	OPT080
Option, Hybrid Adaptor, Ceramic Sleeve, SC/Universal 2.5 mm	OPT081
Option, Hybrid Adaptor, Metal Sleeve, SC/SMA 905/906	OPT082
Option, Hybrid Adaptor, Ceramic Sleeve, SC/Universal 1.25 mm	OPT084

AUTHORIZED DEALER